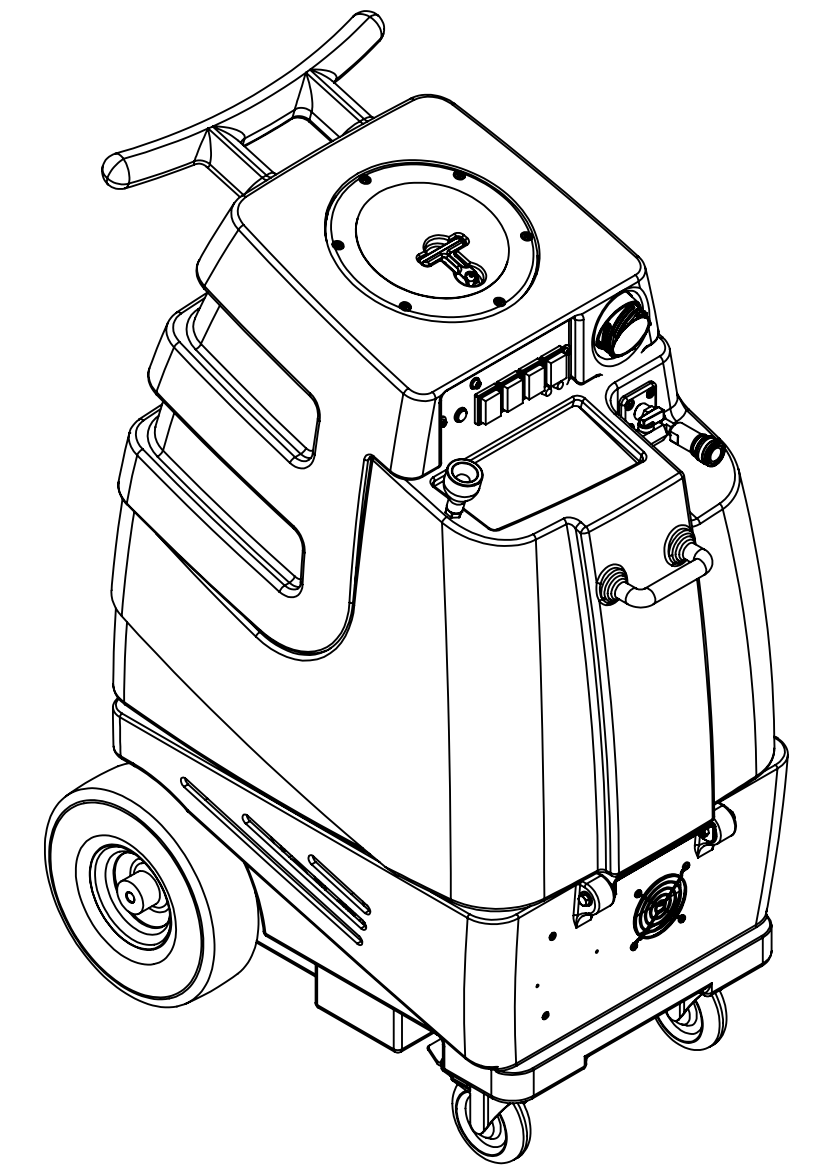


ITEM NO.	PART NO.	DESCRIPTION	QTY.
1	H304	screw, #8 x 5/8 phil oval, s/s	14
2	H296	guard, cooling fan, wire	2
3	H186	screw, 10-32 x 3/4, phil, flat, countersunk, s/s, black	2
4	H632	plate, mounting, relay switch, dual circuit indicator	1
5	E564	controller, circuit light, audible	1
6	H146	nut, lock, 8-32, nylon insert	2
7	H792	nut, lock, 6-32, nylon insert	3
8	E632	relay, shut-off switch, mechanical float, 115v	2
9	H216	nut, lock, 1/4-20, nylon insert, s/s	10
10	H210	washer, 1/4" flat, s/s	22
11	H342	bolt, 1/4-20 x 1" hex head, s/s	8
12	H668	caster, 4", black hub & gray tread	2
13	P731	base	1
14	H371	axle, 18.03" x .50" dia	1
15	H254	washer, axle, cut 1/2" id	10
16	H109	wheel, 10", foam filled	2
17	H042	c-clip, 12mm, external	2
18	H876	washer, 1/2 flat, s/s	4
19	H273	nut, kep, #10-32 zinc	14
20	H256	screw, 10-32 x 3/4" phil pan head	6
21	E360	flanged male inlet recaptacle, 230V, 20A	2
22	B109	barb, 1/4" barb x 1/4" mpt	2
23	B118	valve, brass, relief, 500 psi	1
24	B113	tee, 1/4" fpt x 1/4" fpt x 1/4" fpt	2
25	A902	heater, 2000wt, 115v	1
26	H230	screw, 10-32 x 1/2" phil pan head, s/s	6
27	H528	bracket, heater mounting, dual	1
28	B142	coupling, 1/4" fpt x 1/4" fpt	3
29	B108	valve, brass, 1/4" check	1
30	AH184	sol hose, 1/4" X 14.5" oal, 1/4" msw x 1/4" fpt	1
31	B170	ferrule, 1/4" brass	3
32	PH634-26	sol hose, 1/4", silicone braided, clear	3
33	B110	adapter, brass, 1/4" sw barb x 1/4" fpt, w/gasket	1
34	B103	elbow, 90 deg street, 1/4"mpt x 1/4" fpt	3
35	B652	elbow, 90 deg, 3/8"mpt x 1/4"mpt	1
36	H222	screw, 10-32 x 1-1/4" phil pan head, s/s	4
37	C322D	pump, 220psi, diaphragm, 115V	1
38	B186	elbow, 90 deg street, 3/8"mpt x 3/8" fmpt	1
39	H299	washer, 11/16" id x 1-1/2" od x .075, s/s	4
40	B160	adapter, brass, 1/2" barb x 3/8" fsw, ball end	1
41	H347	clamp, hose, 5/16-29/32	2
42	B172	elbow, brass, 90 deg, 1/2" barb x 3/8"mpt	1
43	H912	bracket, rear, fb/spy	1
44	H770	bolt, 1/4-20 x 1/2" serrated hex flange, zinc	8
45	H307	washer, star, 1/4" steel zinc	2
46	G052	washer, buna 1-1/8" od x 3/16" id	6
47	H211	washer, 1/4" id x 1" od, flat, s/s	6
48	H203	bolt, 1/4-20 x 1-1/4"	2
49	H217	clamp, hose, 2-1/4 dia	4
50	H124V	CUFF-LYNX, 2" female cuff X 2" male thread starter cuff	2
51	H194	coupler, 2" dia x 3" length, s/s	2
52	PH628-15	vac hose, 2", wire reinforced	2
53	H213	washer, 1/4" lock, s/s	10
54	H215	nut, hex, 1/4-20 s/s	2
55	PH612-60	tubing, clear, 1/2" OD x 3/8" ID, faucet fill	1
56	G018	cover, sol tank (sp)	1
57	H178	faucet fill	1
58	B241	adapter, brass, 3/8" barb x 1/4"mpt	1
59	P732	sol tank, speedster	1
60	H768	bolt, 1/4-20 x 3/4" serrated hex flange, zinc	2
61	AH206	sol hose, 1/4" x 28", 1/4 msw x 1/4 mpt	1
62	H484	plate, mounting, QD	1

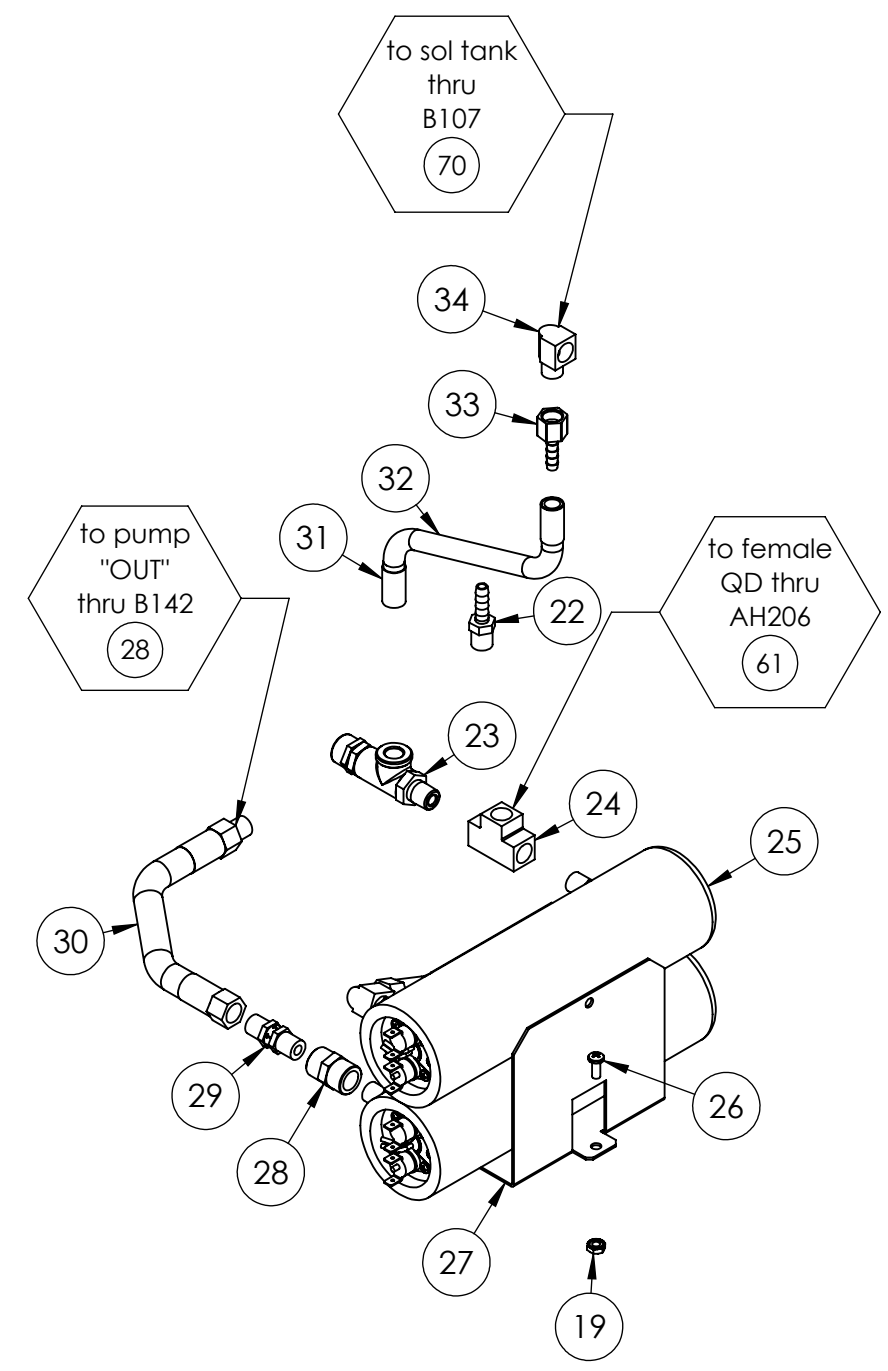
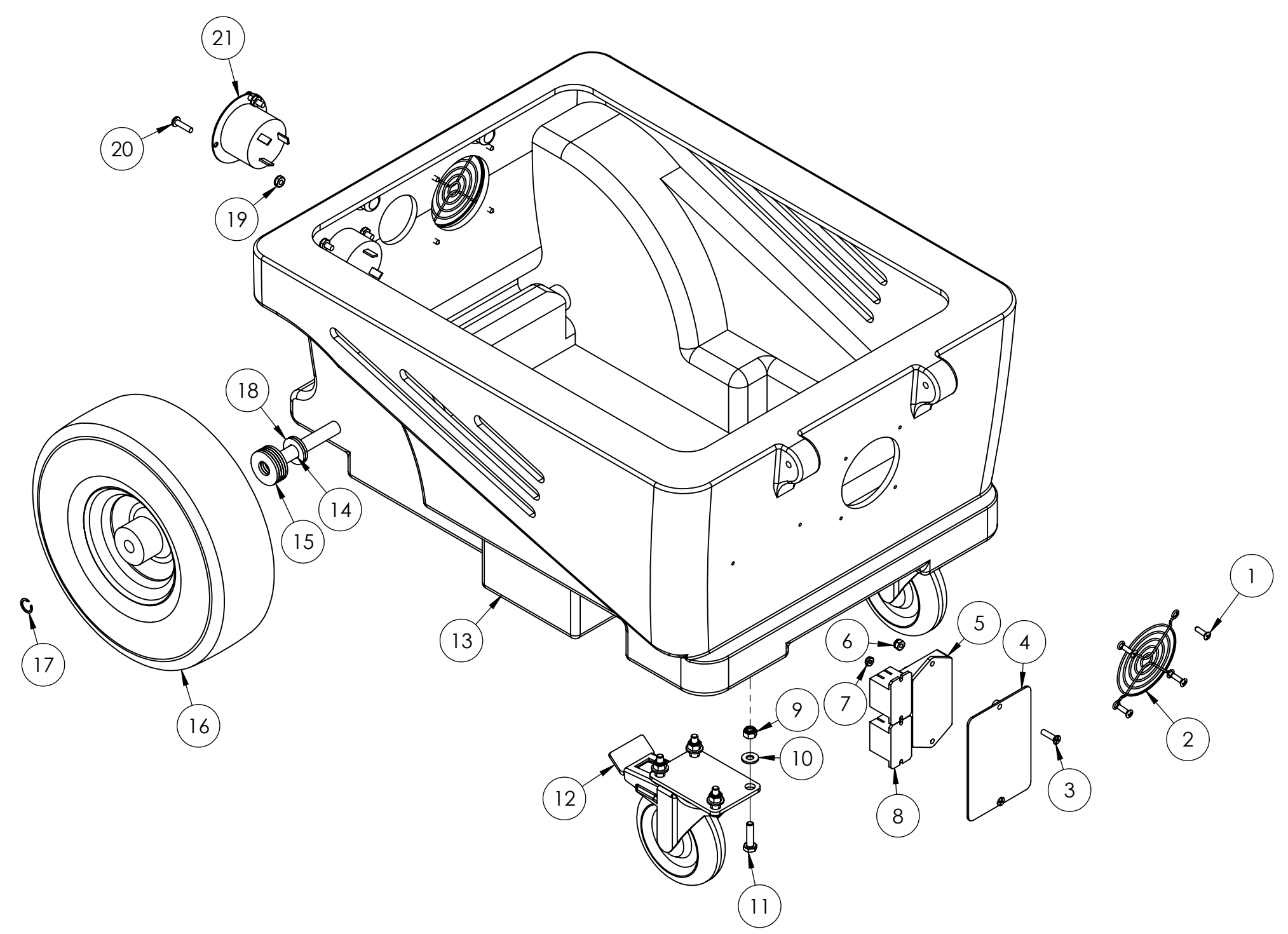
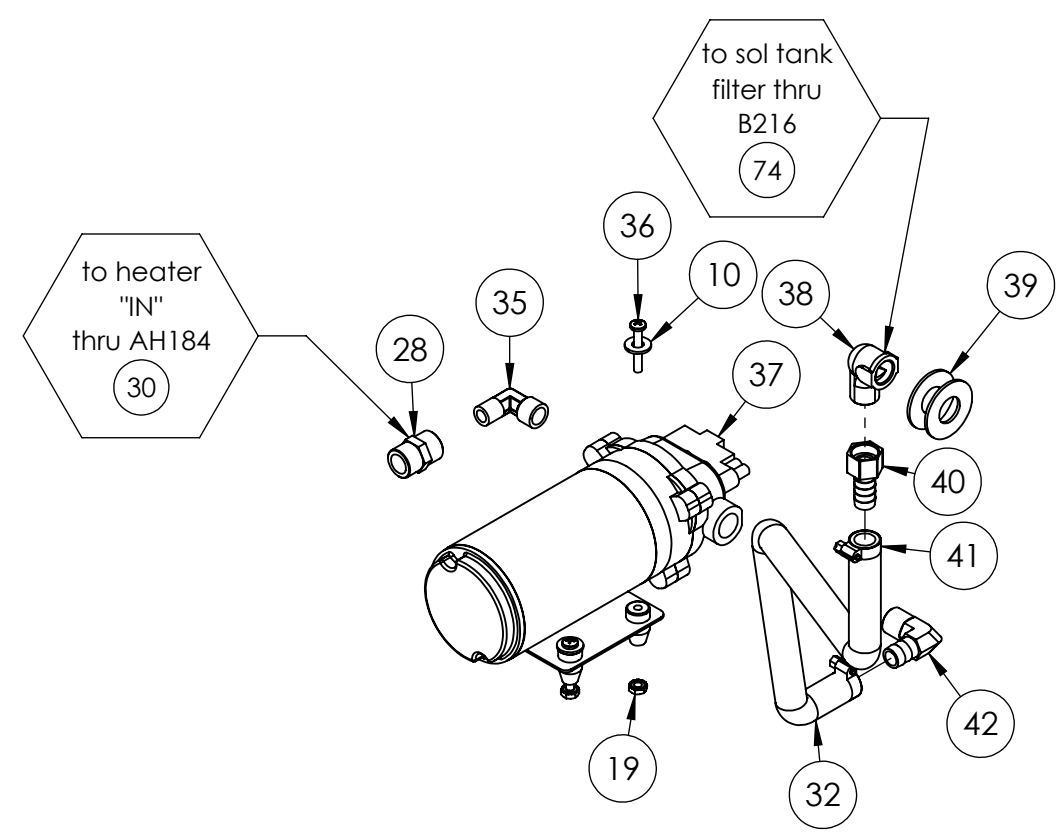
ITEM NO.	PART NO.	DESCRIPTION	QTY.
63	B135	tee, 1/4" mpt x 1/4" mpt x 1/4" mpt	1
64	B102	quick disconnect, 1/4" fqd x 1/4" fpt	1
65	B656	valve, ball, 1/4" fpt x 1/4" fpt, s/s	1
66	H485	handle, aluminum grip, black	1
67	H201	bolt, 1/4-20 x 1/2", hex head, zinc	2
68	H378	bracket, front hinge, sp/fb	1
69	H316	bolt, 1/4x1-1/2", hex head zinc	2
70	B107	nipple, hex, 1/4"mpt x 1/4"mpt	2
71	H212	flat washer, 9/16"ID x 1 1/16"OD, AN960-C916	4
72	B119A	filter, strainer, 1/2" fpt	1
73	B210	bushing, brass, 1/2"mpt x 3/8" fpt, hex	1
74	B216	nipple, brass, 3/8" x close	1
75	H226	spout, drain, 45 degree	1
76	H225	valve, drain, 1-1/2"	1
77	P733	vac tank, speedster	1
78	A926	elbow, inlet assembly 2"	1
79	PH633-2.5	pipe, pvc, 1-1/2"	4
80	P503	adapter, 1.5" pvc, 45 deg, fslip	4
81	P502	adapter, 1.5" pvc, fslip x fslip	2
82	G097	filter, screen mesh, 1.90" dia	2
83	G003	filter, foam, 2", vac stack, 1/2"	2
84	PH633-.1	pipe, pvc, 1-1/2"	2
85	G091	gasket, 7", vac lid	1
86	G090	lid, vac tank, clear, 7"	1
87	PH633-6.5	pipe, pvc, 1-1/2"	2
88	P520	adapter, 1.5" mpt pvc	2
89	H314	nut, lock, 1-1/2", steel	2
90	H135V	Cuff-Lynx, 2" male cuff x 2" mpt, vinyl	1
91	H348	plate, switch, 1000DX-200	1
92	H612	waasher, #8, flat regular	3
93	H389	screw, 10-32 x 1/2" SHCS, alloy	1
94	E516	switch, rocker, 3 position	1
95	E511	light, red, 250v	2
96	E515	switch, rocker, 2 position	3
97	E512B	light, indicator, blue	1
98	H246	screw, 8-32 x 3/8" SHCS, alloy, Black	2
99	E373	level switch, vacuum shut-off, rear threads	2
100	H390A	bracket, "L", 2" x 2"	2
101	H343	screw, 10 x 5/8" hex head, zinc	2
102	H096	bolt, hex, 1/4-20 x 4", zinc Finish	6
103	H503	vac support, 3 stage, 3.25", no thrds	6
104	C302LA	vac motor, 3 stage, low amp	2
105	G004	gasket, vacuum motor	2
106	G004-A	gasket, vacuum motor	2

**ITEMS NOT SHOWN**

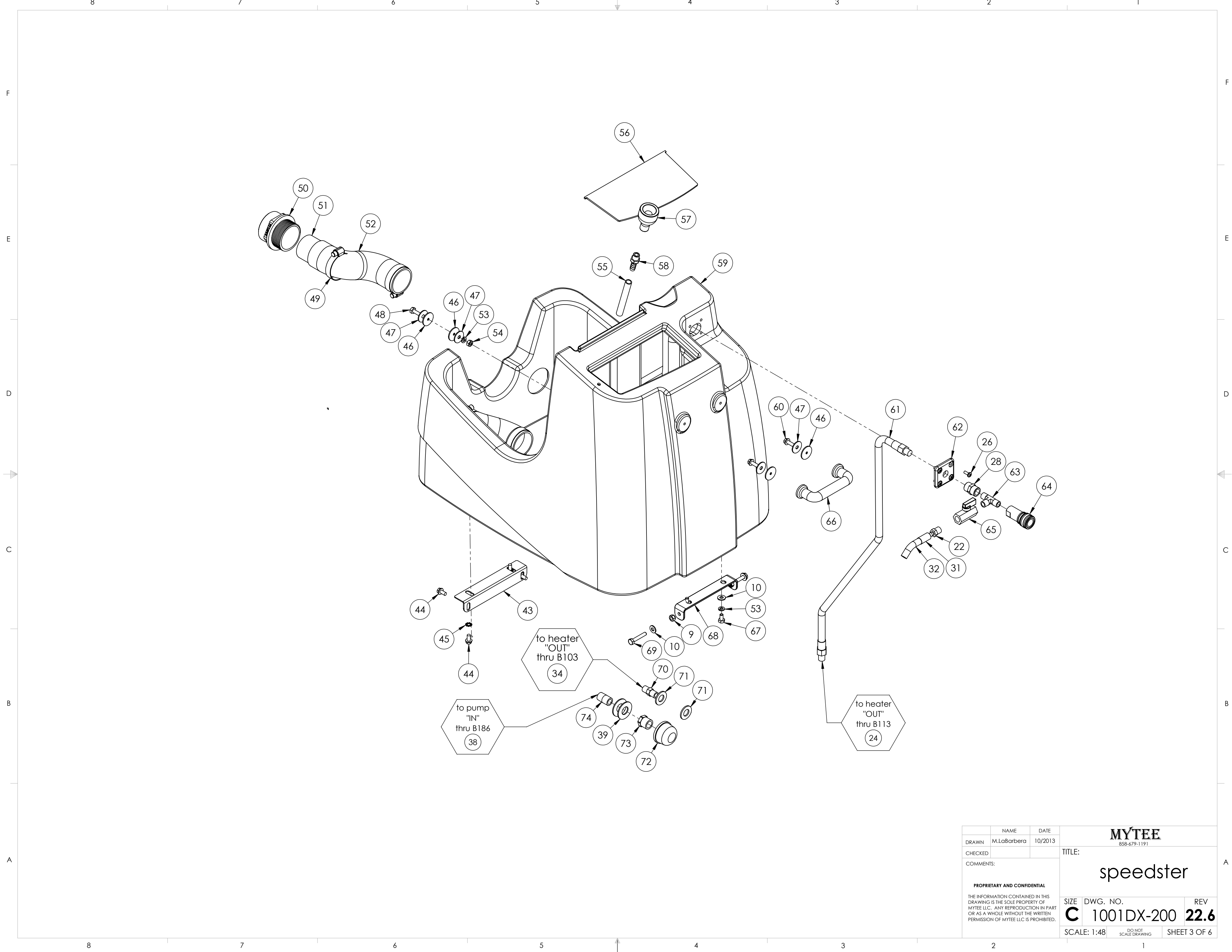
PART NO.	DESCRIPTION	QTY
AK-SPH	Speedster accessory bundle	1
E996	harness, electrical, 1001	1
E351A	powercord, ext 50', 12/3, la066a female twist locks x la0041 male end, sjtw solid jacket	2
P590	cuties, 1/4" qd, standard pack of 2	1



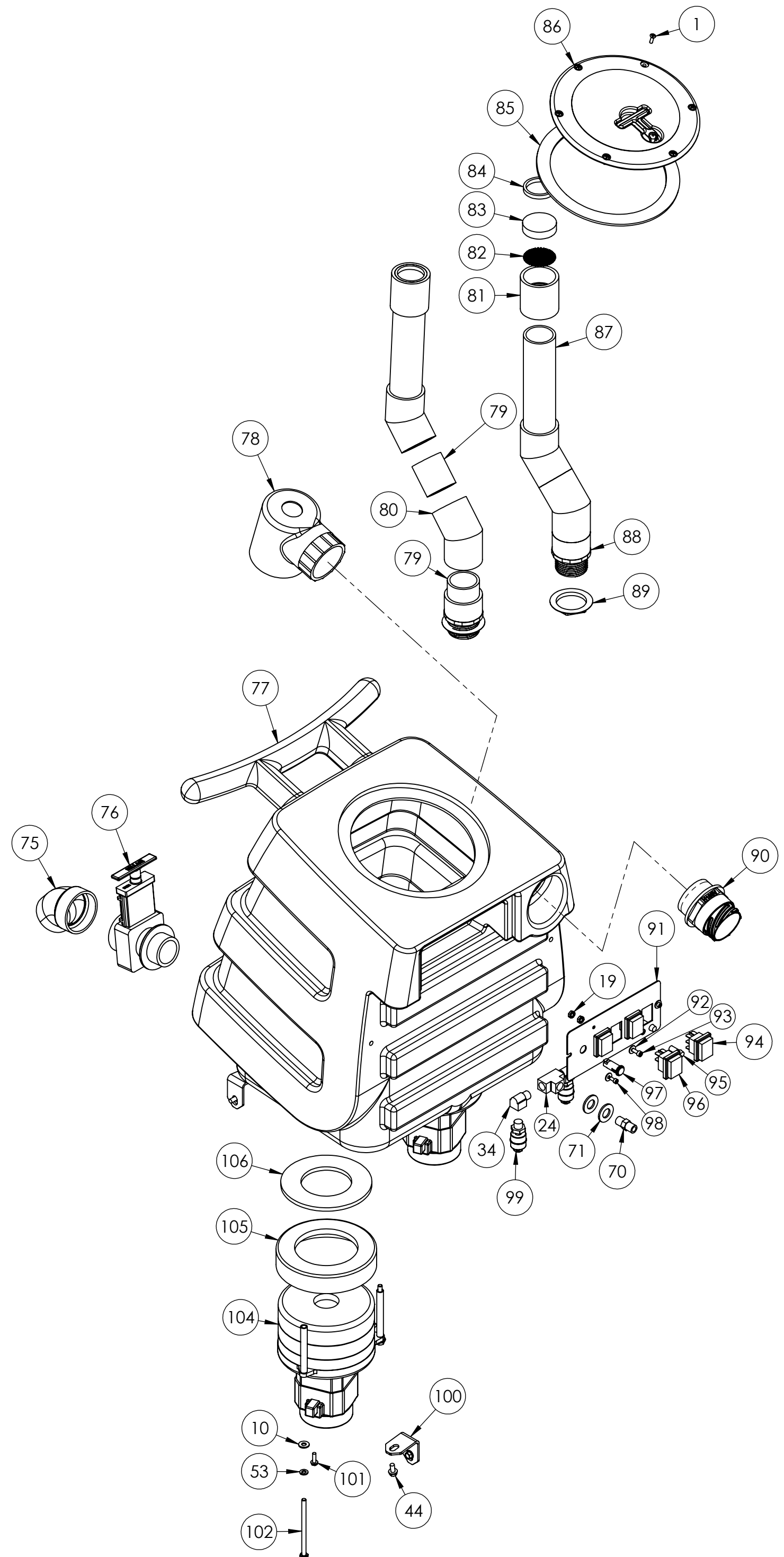
NAME	DATE	<b>MYTEE</b> 858-679-1191						
DRAWN M.LaBarbera	10/2013							
CHECKED		TITLE:						
COMMENTS:		<b>speedster</b>						
<small>PROPRIETARY AND CONFIDENTIAL</small> <small>THE INFORMATION CONTAINED IN THIS DRAWING IS THE SOLE PROPERTY OF MYTEE LLC. ANY REPRODUCTION IN PART OR AS A WHOLE WITHOUT THE WRITTEN PERMISSION OF MYTEE LLC IS PROHIBITED.</small>		<table border="1"> <tr> <td>SIZE</td> <td>DWG. NO.</td> <td>REV</td> </tr> <tr> <td><b>C</b></td> <td><b>1001DX-200</b></td> <td><b>22.6</b></td> </tr> </table>	SIZE	DWG. NO.	REV	<b>C</b>	<b>1001DX-200</b>	<b>22.6</b>
		SIZE	DWG. NO.	REV				
<b>C</b>	<b>1001DX-200</b>	<b>22.6</b>						
SCALE: 1:48	DO NOT SCALE DRAWING	SHEET 1 OF 6						



	NAME	DATE	<b>MYTEE</b> 858-679-1191	
DRAWN	M.LaBarbera	10/2013	TITLE: <b>speedster</b>	
CHECKED			REV <b>22.6</b>	
COMMENTS:  <b>PROPRIETARY AND CONFIDENTIAL</b> THE INFORMATION CONTAINED IN THIS DRAWING IS THE SOLE PROPERTY OF MYTEE LLC. ANY REPRODUCTION IN PART OR AS A WHOLE WITHOUT THE WRITTEN PERMISSION OF MYTEE LLC IS PROHIBITED.			SIZE <b>C</b>	DWG. NO. <b>1001DX-200</b>
			SCALE: 1:48	DO NOT SCALE DRAWING SHEET 2 OF 6

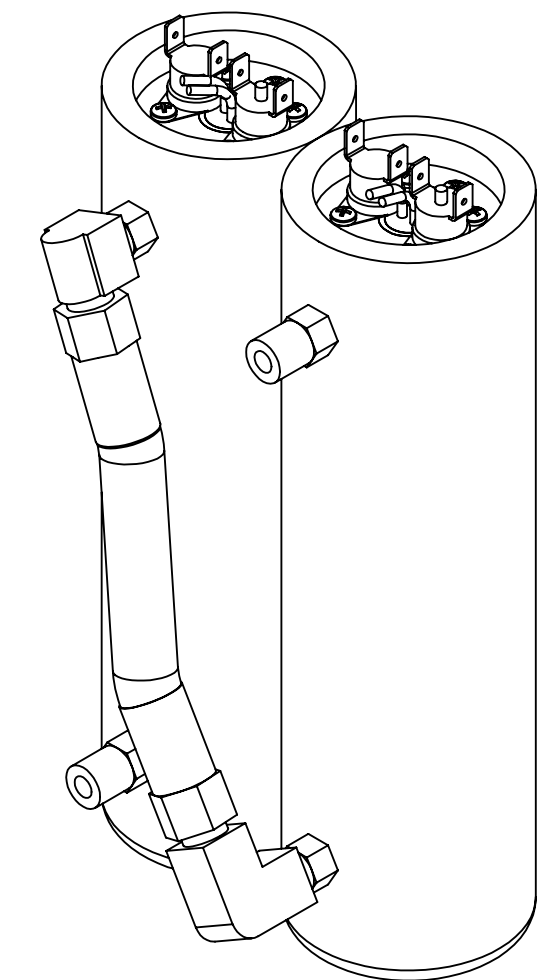
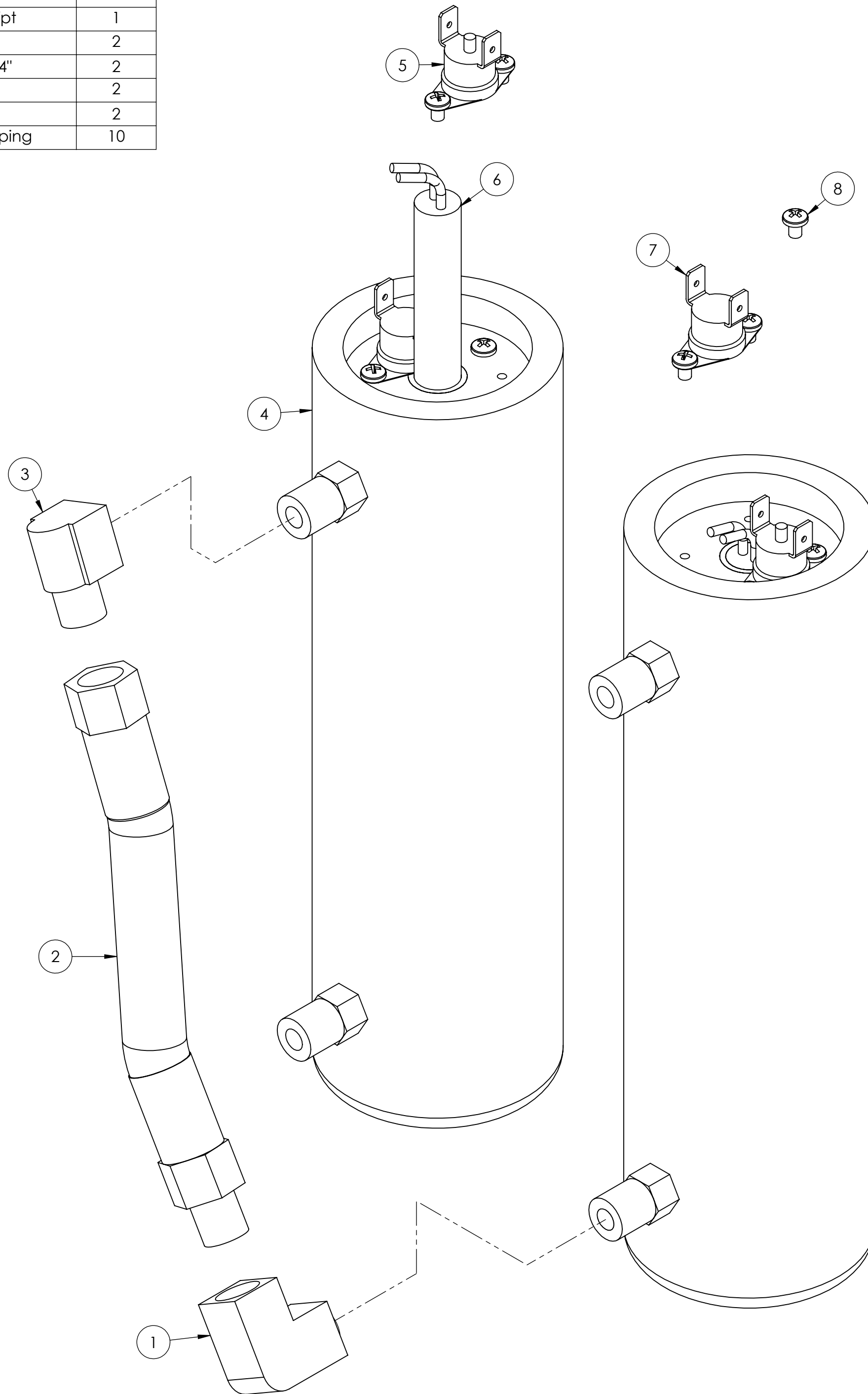


	NAME	DATE	<b>MYTEE</b> 858-679-1191		
DRAWN	M.LaBarbera	10/2013			
CHECKED			TITLE: <b>speedster</b>		
COMMENTS:					
<small>PROPRIETARY AND CONFIDENTIAL THE INFORMATION CONTAINED IN THIS DRAWING IS THE SOLE PROPERTY OF MYTEE LLC. ANY REPRODUCTION IN PART OR AS A WHOLE WITHOUT THE WRITTEN PERMISSION OF MYTEE LLC IS PROHIBITED.</small>			SIZE	DWG. NO.	REV
			<b>C</b>	<b>1001DX-200</b>	<b>22.6</b>
SCALE: 1:48			DO NOT SCALE DRAWING	SHEET 3 OF 6	



	NAME	DATE	<b>MYTEE</b> 858-679-1191		
DRAWN	M.LaBarbera	10/2013			
CHECKED			TITLE: <b>speedster</b>		
COMMENTS:					
<small>PROPRIETARY AND CONFIDENTIAL THE INFORMATION CONTAINED IN THIS DRAWING IS THE SOLE PROPERTY OF MYTEE LLC. ANY REPRODUCTION IN PART OR AS A WHOLE WITHOUT THE WRITTEN PERMISSION OF MYTEE LLC IS PROHIBITED.</small>			SIZE	DWG. NO.	REV
			<b>C</b>	<b>1001DX-200</b>	<b>22.6</b>
SCALE: 1:48			DO NOT SCALE DRAWING	SHEET 4 OF 6	

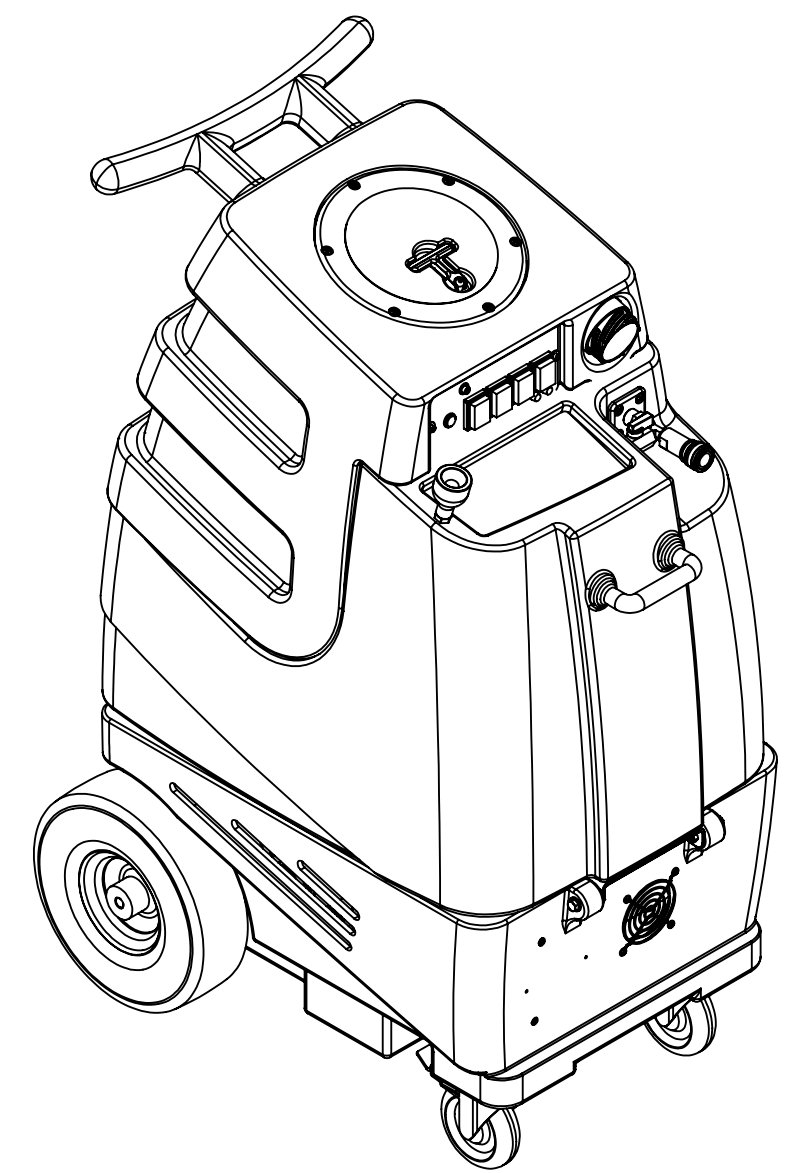
ITEM NO.	PART NO.	DESCRIPTION	QTY.
1	B207	elbow, brass, 90 deg, 1/4" fpt x 1/4" fpt	1
2	AH156	hose, 3/8", (OAL), f x fs, 5400 gray	1
3	B103	elbow, 90 deg street, 1/4"mpt x 1/4" fpt	1
4	H903A	heater, aluminum cast, single	2
5	E574	Thermostat, 310°F ± 10°F, Manual, 1/4"	2
6	E519	heating rod, 1000W, 115V	2
7	E573	Thermostat, 200°, Auto, 1/4"	2
8	H274	screw, 6 x 3/16, phil pan head, self-tapping	10



	NAME	DATE	<b>MYTEE</b> 858-679-1191	
DRAWN	M.LaBarbera	2/26/10		
CHECKED			TITLE: <b>heater, 2000wt, 115v</b>	
COMMENTS:			SIZE DWG. NO.	REV
<b>PROPRIETARY AND CONFIDENTIAL</b> THE INFORMATION CONTAINED IN THIS DRAWING IS THE SOLE PROPERTY OF MYTEE LLC. ANY REPRODUCTION IN PART OR AS A WHOLE WITHOUT THE WRITTEN PERMISSION OF MYTEE LLC IS PROHIBITED.			<b>C</b> 1001DX-200	<b>OD</b>
		SCALE: 2:2	DO NOT SCALE DRAWING	SHEET 5 OF 6

## REVISIONS

REV.	DESCRIPTION	DATE	APPROVED
OD	ORIGINAL DRAFT	-	JFL
A	REPLACED G003 W G022	8/2013	JFL
B	REPLACED H033 W H342, ADDED H210 & H216	10/8/2013	JFL
C	G021 REPLACED W G097	10/22/2013	JFL
D	REPLACED G022 W G003	7/29/2014	ML
E	REPLACED H219 W H042	8/8/2014	ML
F	ADDED B241	4/16/2015	ML
G	REMOVED ELECTRONIC FLOAT	3/8/2016	ML
22.6	AH206 REPLACES AH120	6/2022	ML



	NAME	DATE	<b>MYTEE</b> 858-679-1191		
DRAWN	M.LaBarbera	10/2013	<b>speedster</b>		
CHECKED					
COMMENTS:			SIZE	DWG. NO.	REV
<p style="font-size: small; margin: 0;"><b>PROPRIETARY AND CONFIDENTIAL</b></p> <p style="font-size: x-small; margin: 0;">THE INFORMATION CONTAINED IN THIS DRAWING IS THE SOLE PROPERTY OF MYTEE LLC. ANY REPRODUCTION IN PART OR AS A WHOLE WITHOUT THE WRITTEN PERMISSION OF MYTEE LLC IS PROHIBITED.</p>			<b>C</b>	<b>1001DX-200</b>	<b>22.6</b>
					SCALE: 1:48